



"Standard" Separate-vacuum Hopper Loader

SAL-810G-EB

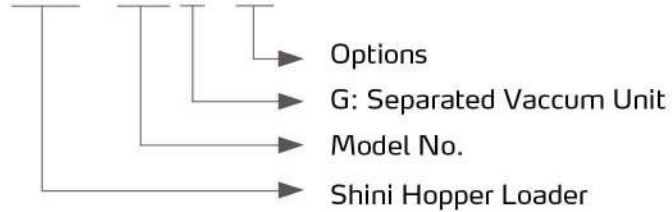


Refer carefully to this manual before operation.

SAL-G Series

■ Coding Principle

SAL - xxx G - xx



SAL-810G & SVH-6L

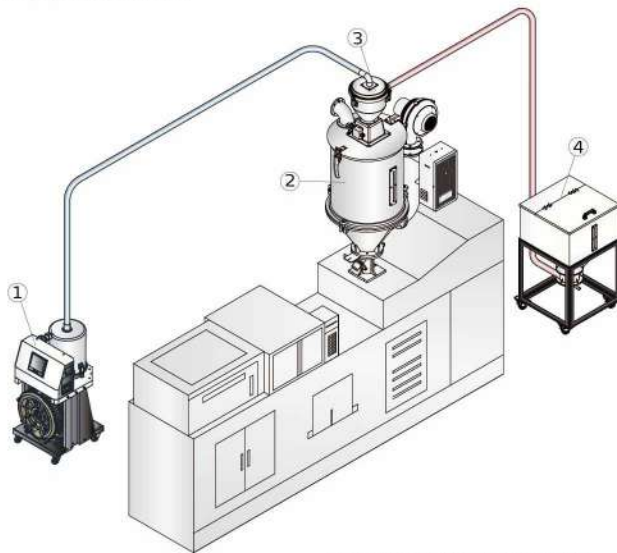
■ Features

- Microprocessor control for ease of use and accurate control.
- Motor overload protector ensures long service life of motor.
- Audible material shortage alarm.
- Filter designed for easy cleaning and the checking window can monitor filter condition easily.



Control Panel
SAL-810G-EB

■ Application



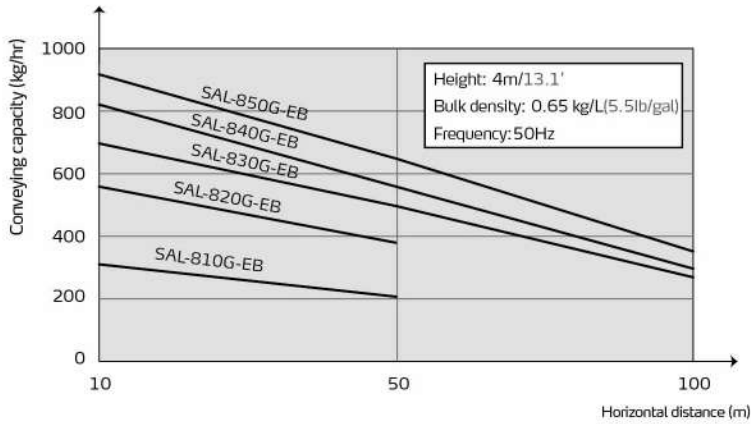
1. Main (Vacuum) unit
2. "Standard" hopper dryer
3. Vacuum hopper receiver
4. Material storage tank

SAL-810G-EB Application

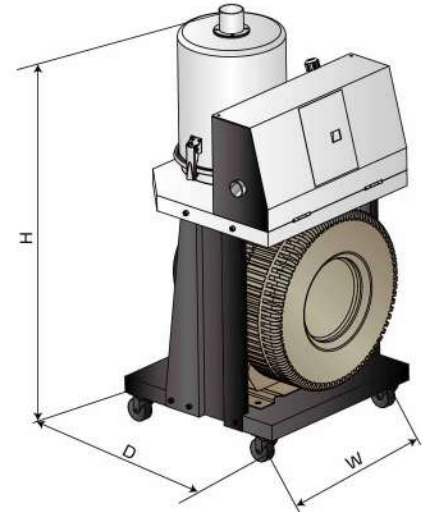
■ Options

- Optional internal polished hopper loader. Add "P" at the end of the model code.

Conveying Capacity



Outline Drawings



SAL-810G/820G/830G/
840G/850G-EB (Main Unit)

Specifications

Main Unit						Hopper						Conveying Pipe Dia (inch)	Vaccum Pipe Dia. (inch)	Conveying Capacity (50Hz)			
Model	Motor Type	Motor Power (kW, 50/60Hz)	Dimension H x W x D		Weight		Applied Model	Hopper Capacity		Dimension H x W x D				kg	lb	kg/hr	lb/hr
			mm	inch	kg	lb		L	gal	mm	inch						
SAL-810G-EB	Inductive	0.75 (3Φ)	740× 400×410	29.1× 15.7×16.1	58	128	SMH-6L	6	1.6	460× 260×315	18.1× 10.2×12.4	6	13	1.5	1.5	300	661
							SVH-6L			600× 285×305	23.6× 11.2×12	7	15				
							SHR-6U			420× 285×360	16.5× 11.2×14.2	6	13				
SAL-820G-EB	Inductive	1.5 (3Φ)	740× 400×410	29.1× 15.7×16.1	65	143	SMH-6L	6	1.6	460× 260×315	18.1× 10.2×12.4	6	13	1.5	1.5	480	1057
							SVH-6L			600× 285×305	23.6× 11.2×12	7	15				
							SHR-6U			420× 285×360	16.5× 11.2×14.2	6	13				
SAL-830G-EB	Inductive	1.85 (3Φ)	785× 400×410	30.9× 14.6×15.9	68	150	SMH-12L	12	3.2	515 325×350	20× 12.8×13.8	7	15	2	2	700	1543
							SVH-12L			700× 300×365	27.6× 11.8×14.4	11	24				
							SHR-12U			470× 315×400	18.5× 12.4×15.7	7	15				
SAL-840G-EB	Inductive	2.2 (3Φ)	947× 444×480	37.3× 17.5×18.9	72	159	SMH-24L	24	6.4	720× 325×375	28.3× 12.8×14.8	9	20	2	2	820	1806
							SVH-24L			1120× 360×375	44.1× 14.2×14.8	13	29				
							SHR-24U			690× 315×400	27.2× 12.4×15.7	9	20				
SAL-850G-EB	Inductive	3.4 (3Φ)	947× 444×480	37.3× 17.5×18.9	75	165	SMH-24L	24	6.4	720× 325×375	28.3× 12.8×14.8	9	20	2	2	920	2027
							SVH-24L			1120× 360×375	44.1× 14.2×14.8	13	29				
							SHR-24U			690× 315×400	27.2× 12.4×15.7	9	20				

Notes: 1) "SVH" stands for photosensor hopper receiver; "SMH" stands for vacuum hopper receiver.

"SHR-U" stands for Euro-hopper receiver.

2) Test condition of conveying capacity: Plastic material of bulk density 0.65kg/L(5.5lb/gal), dia. 3-5mm/0.12-0.2 inch, vertical conveying height: 4m/13.1Feet, horizontal conveying distance: 5m/16.4Feet.

3) "●" stands for standard, "○" stands for options, "-" stands for none.

4) Power supply: 3Φ, 230/400/460/575V, 50/60Hz for all models except SAL-700G (1Φ, 115/230V, 50/60Hz).

Shini Group

Addr: No. 23, Minhe St., Shulin Dist.,
New Taipei, Taiwan

Tel: +886 2 2680 9119

Fax: +886 2 2680 9229

Email: shini@shini.com

Factories:

- Taiwan
- Dongguan
- Pinghu
- Ningbo
- Chongqing
- Pune

2020-09-15-04 Copyrights Reserved.

www.shini.com